

## Focus on Timber Worksheet 08: Joinery

List four different methods of joining wood.

1. \_\_\_\_\_
2. \_\_\_\_\_
3. \_\_\_\_\_
4. \_\_\_\_\_

What is the least effective glued joint? \_\_\_\_\_

What are the most common 'mechanical fasteners' in woodwork?

\_\_\_\_\_

Define the term 'joinery'.

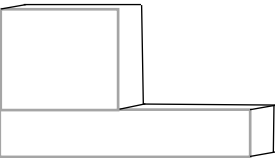

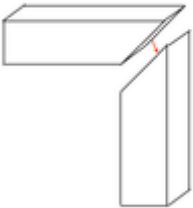
\_\_\_\_\_

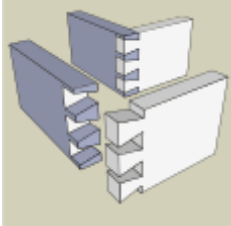

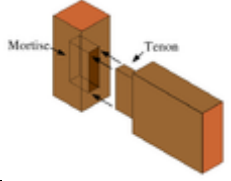
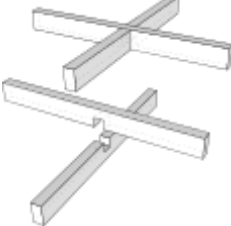
\_\_\_\_\_

Which is the least effective surface to apply glue to in a joint, the narrow face, the wide face or the end grain face?

\_\_\_\_\_

Complete the following table.

| Name of Joint | Graphic   | Application |
|---------------|---|-------------|
|               |  |             |
|               |  |             |
|               |  |             |

|  |   |  |  |
|--|---|--|--|
|  |  |  |  |
|  |  |  |  |
|  |  |  |  |
|  |  |  |  |